

# EZYTAP75 & EZYTAP7800

Elegant, Reliable, Under Counter Boiler For Hot & Ambient Water Or Hot & Chilled Water

# Specifications and performance

Model	Dispensing Height	Hourly output			Dimensions (mm)	Temp
		Hot	Ambient	Chilled		
EZYTAP75	18.5cm	14ltr	indefinite	n/a	329h, 220w, 352d	95°C max
EZYTAP75T	24cm	14ltr	indefinite	n/a	329h, 220w, 352d	95°C max
EZYTAP7800	18.5cm	14ltr	n/a	11.5ltr	Boiler 329h, 220w, 352d Chiller 300h, 410w, 300d	95°C max 6 – 10°C
EZYTAP7800T	24cm	14ltr	n/a	11.5ltr	Boiler 329h, 220w, 352d Chiller 300h, 410w, 300d	95°C max 6 – 10°C

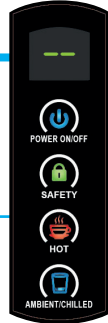
**EZYTAP75**  
**EZYTAP7800**

**EZYTAP75T**  
**EZYTAP7800T**

## Description

### Tap

- Chrome faucet with electronic controls
- Touch control dispensing taps
- Flashing indicator light when heating
- Hot water safety tap
- Dispensing height: EZYTAP75/7800 - 18.5cm  
EZYTAP75T/7800T - 24cm



### Under sink Boiler and Chiller unit

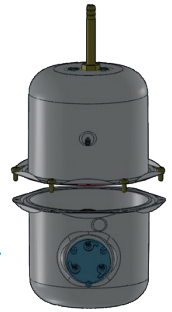
- The EZYTAP Boiler is an atmospheric boiler with a powerful 2KW SUS316 ring type heating element. The boiler can be easily accessed for descaling or maintenance
- The EZYTAP75/75T dispenses 14ltr/hour of 95°C hot water and copious amounts of un-chilled water
- The EZYTAP7800/T dispenses hot and chilled water. It includes our UC800M Undersink Chiller, which provides 11.5ltr/hour of chilled water between 6 – 10°C
- The UC800M Undersink Chiller is a compressor chilled cooler with a static fan assisted condenser
- It is recommended that the EZYTAP Boiler and the UC800M chiller units are installed with 5cm ventilation space all round, to avoid over-heating

### Drip Tray

- EZYTRAY2: Drip tray connects to the EZYTAP column

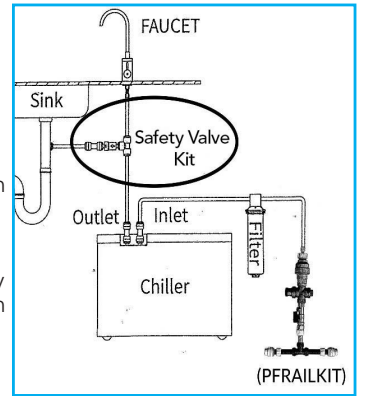
### Scale protection

- The two separate mains water inlets allow for the installation of a scale removal filter on the boiler inlet and a much more cost-effective taste, odour and turbidity carbon block filter on the ambient/chilled side
- Scale removal filters are expensive and since their effective 'life' is measured in litres of water passing through it, it is important to use it only on the boiler side
- Soft water areas only require a single carbon filter connected to a combined boiler and ambient/chilled inlet
- The EZYTAP boiler can be opened for descaling and servicing.



### Venting Pressure from the UC800M Chiller

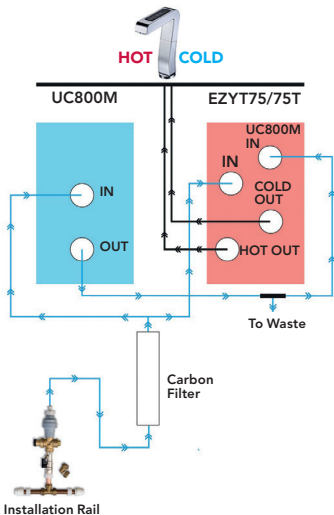
- Ice can build up in the UC800M Undersink Chiller. This will result in an increase of pressure in the sealed chilling system which can lead to a failure of fittings and pipework which would result in a leak. It is therefore strongly recommended that the Safety Valve Kit, which comes with the UC800M, is installed. It vents any pressure building up into a sink drain or a waste container.



## EZYTAP installation diagrams

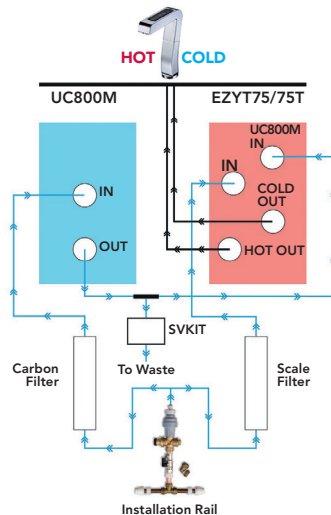
### EZYTAP7800/7800T in soft water area

Single carbon block filter for the boiler and the chiller side.



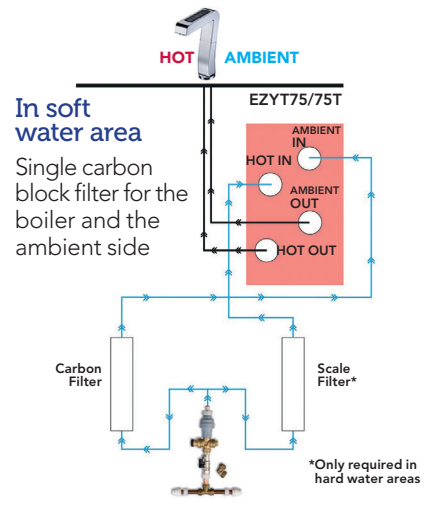
### EZYTAP7800/7800T in hard water area

Scale removal filter for the boiler and a carbon block for the chiller side.



### EZYTAP75/75T in hard water area

Scale removal filter for the boiler and a carbon block for the ambient side.



For enquiries please contact Glastonbury Spring Water Co Ltd on 01458 834344 or sales@glastonburyspringwater.co.uk